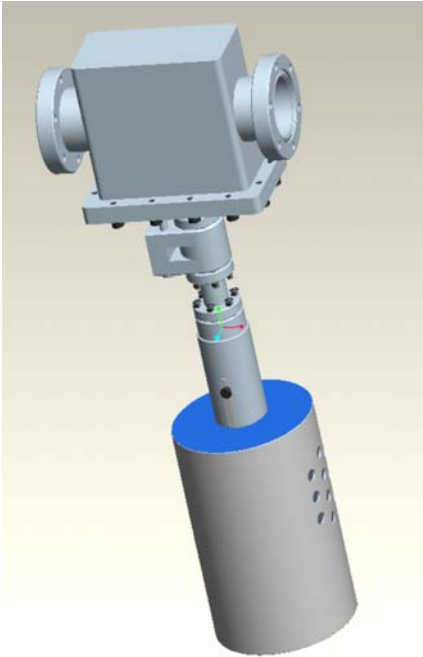


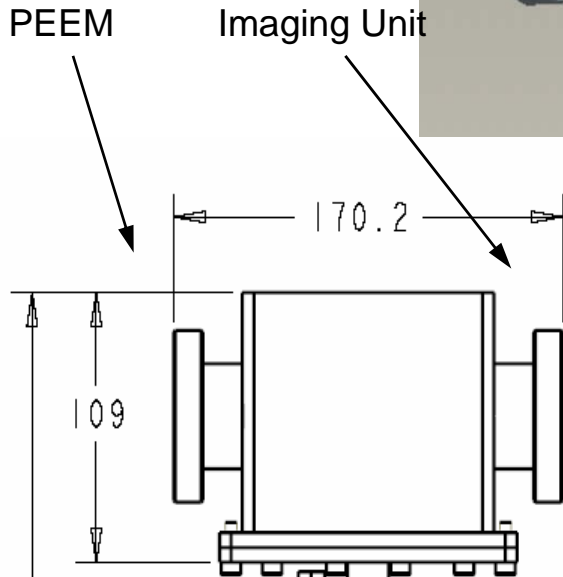
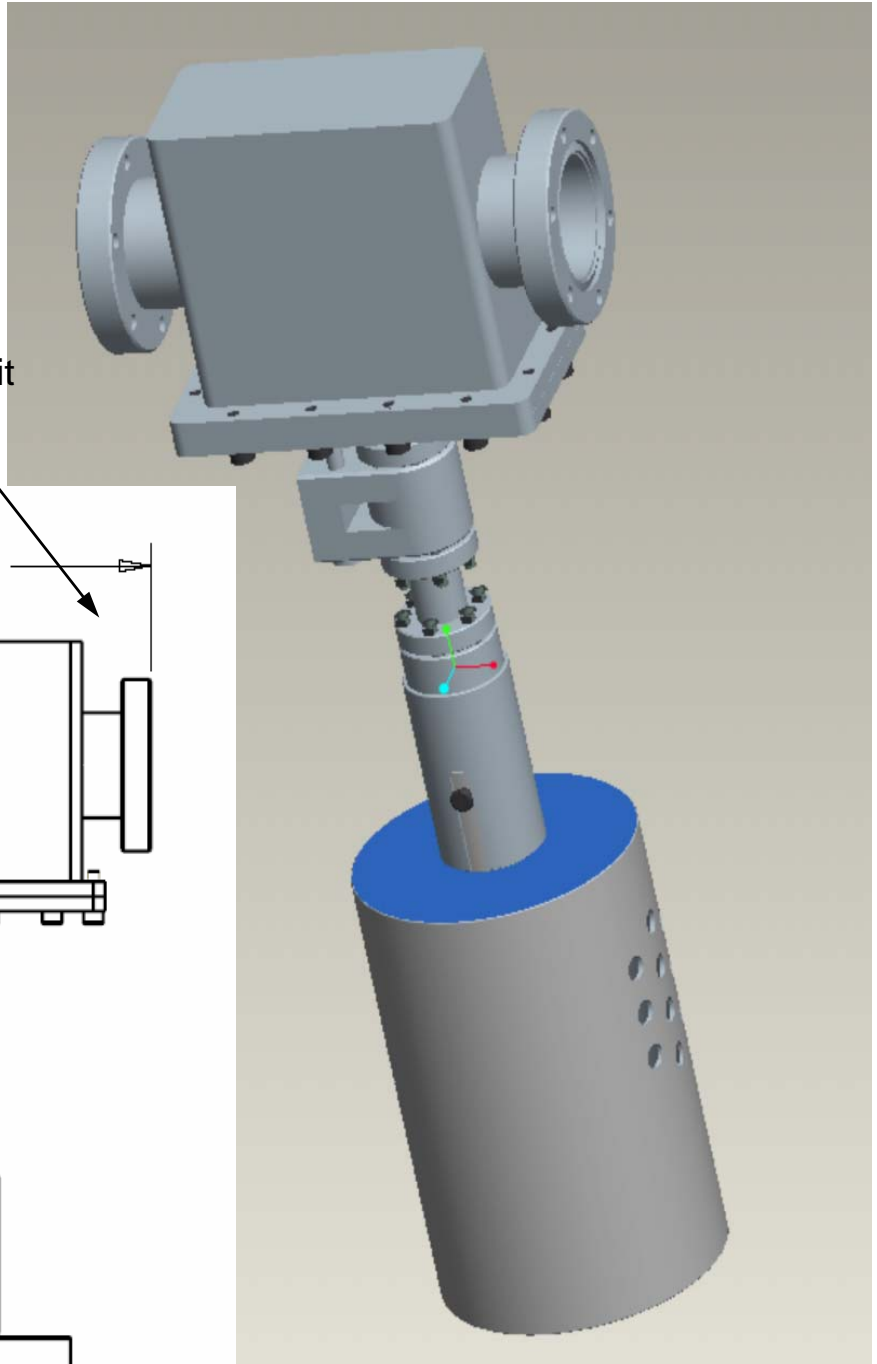
Interchangeable DLD 1818 IG



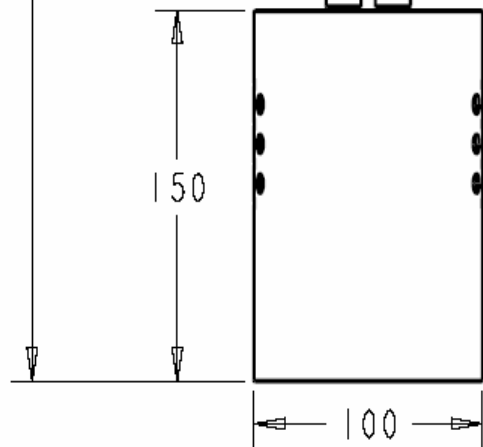
Interchangeable Delayline Detector for Photoemission Electronmicroscopes (PEEM)

Features

- 2D detector and an electrostatic column extension on a linear feed-through for an in-situ switching between DLD and imaging unit of a PEEM
 - CF40 mounting flange
 - 18 x 18 mm² active area of DLD body and \varnothing 15 mm active MCP area
 - Linear response due to single event counting
 - Extremely low dark count rate: < 5 cps
 - Up to 3 MHz count rate in 2D mode
 - Up to 41 μ m of pixel size
 - Up to 81 ps digital time bin resolution
 - Time histogramming for time of flight (tof) measurements
-
- For further information contact Surface Concept GmbH



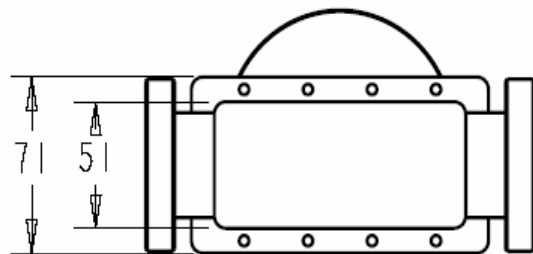
min. 431.1
 max. 486.5



Front View

Cable Port

dimensions in mm



Top View